



## Load Curves

<b>35m</b>	12.05	14	16	18	20.4	22	24	26	28	30	32	34	35	m	
	4000	3240	2700	2300	2000	1815	1620	1465	1330	1220	1120	1035	1000	Kg	
Full 35m jib folded out															
<b>32m</b>	12.85	14	16	18	20	21.95	24	26	28	30	32	m			
	4000	3550	2960	2530	2200	2000	1785	1610	1465	1345	1240	Kg			
3m jib section removed reducing maximum jib length to 32m															
<b>28.7m</b>	13.5	14	16	18	20	22	23.21	24	26	28.7	m				
	4000	3815	3185	2720	2370	2090	2000	1910	1750	1530	Kg				
6m jib section removed reducing jib length to 28.7m															
<b>15.7m</b>	<b>4000Kg - Max.</b>														
19.3m jib section hydraulically folded back to reduce jib length to 15.7m															
4 fall rope operation						4 fall or 2 fall rope operation									



## Speed of Mechanisms

<b>HOISTING</b>		m/min.	6	24	48	3	12	24
		kg	2000	2000	1300	4000	4000	2600
		CV-PS hp	3	12	14	3	12	24
		kW	2,2	8,8	10,3	2,2	8,8	10,3
		m/min.	CV-PS hp			kW		
<b>TROLLEYING</b>		20/40	1,5/3			1,1/2,2		
<b>SLEWING</b>		0,2-1,1 tr/min - u/min rpm - g/min	3,5 kgm			4,5		
<b>Power Requirements</b>								
<b>MAINS ELECTRICITY</b>	400V (+6%-10%) @ 50Hz	<b>GENERATOR</b>			Frequency Controlled 30KVA However we recommend using 40KVA Contactor Controlled 60KVA			
<b>KVA</b>	23KVA							



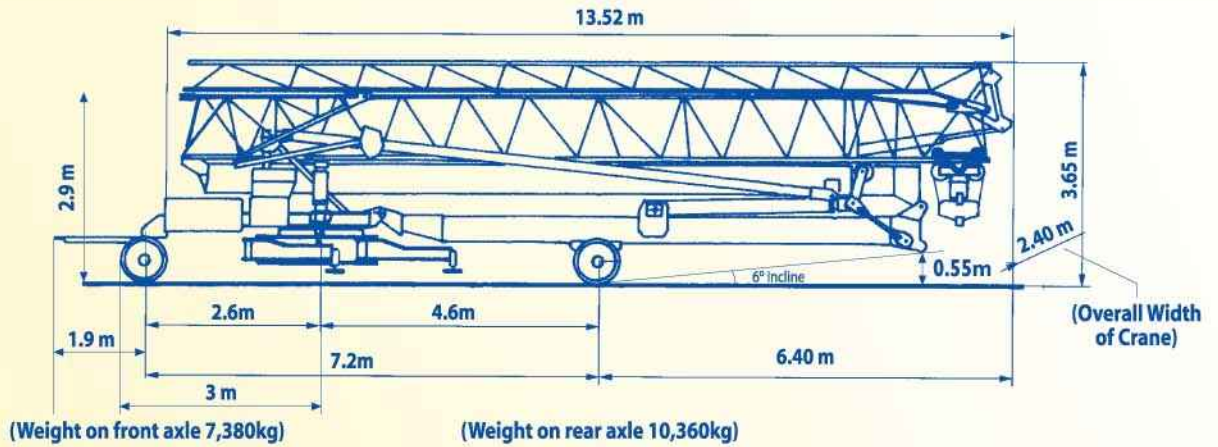
## Weights

<b>Dead Weight without Transport Axles &amp; Permanent Ballast</b>	14,200 Kg	<b>BALLAST WEIGHTS</b>	
<b>Dead Weight with Transport Axles &amp; 4,000kg Permanent Ballast</b>	19,000 Kg	12 No. @ 1,770 Kg	21,240kg
		1 No. @ 4,000 Kg - Permanent	4,000kg
		<b>Total</b>	<b>25,240 Kg</b>

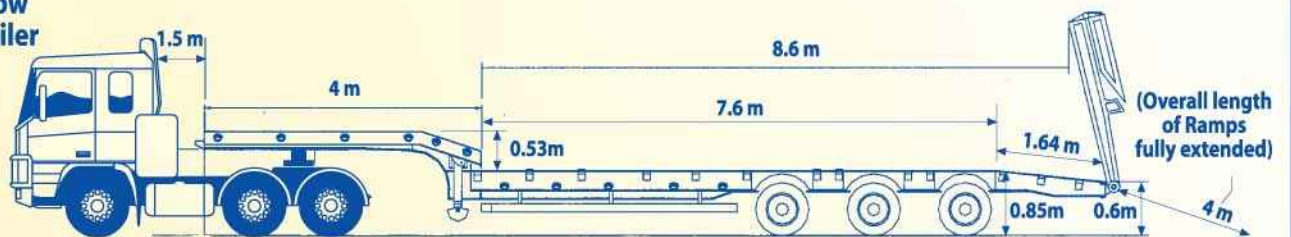


## Mode of Transport

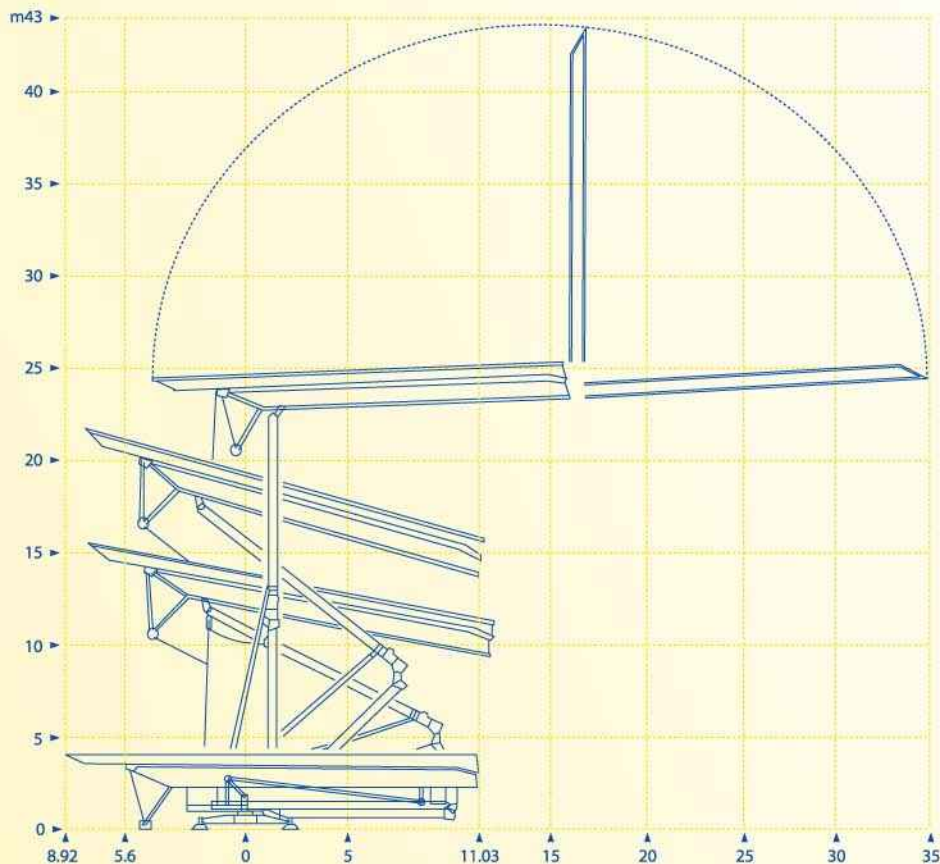
### Site Axles



### Suitable Low Loader Trailer



## Erection Schematic





Model shown in picture may not be this actual model

## On-site materials handling for the 21st Century



### Head Office

Killygordon  
Co. Donegal  
Ireland

Tel: +353 (0)74 9149981

Fax: +353 (0)74 9149932

Email: [info@mantiscranes.ie](mailto:info@mantiscranes.ie)

Web: [www.mantiscranes.ie](http://www.mantiscranes.ie)

### UK Office

Unit 11  
Brockwell Court  
Low Willington Industrial Estate  
Crook

Co. Durham DL15 0UT

Lo Call: 0845 3098158

Tel: +44 (0)138 8748962

Fax: +44 (0)138 8748968

Email: [info@mantiscranes.co.uk](mailto:info@mantiscranes.co.uk)

Web: [www.mantiscranes.co.uk](http://www.mantiscranes.co.uk)

This commercial document is not legally binding. Changes may be made to the content without any notification.

**'The Evolution in Crane Technology'**